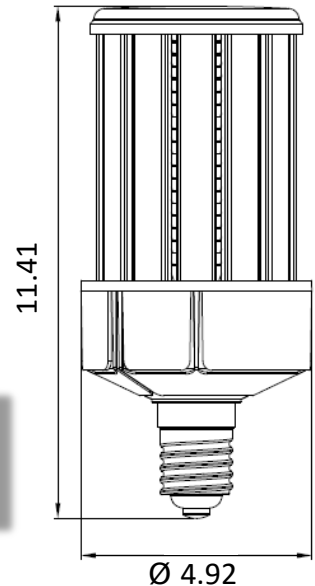


ML-CL100WG6 – 100 WATT 11,500 LUMENS



Dual Internal Cooling Fans & Heat Sink



### LED Corn Lights

Replacements for Metal Halide, HPS, Mercury Vapor, Super Spiral (CFL), and Halogen Bulbs

LED Corn Lights, also referred to as Corncob Lights or Corn Bulbs, are a versatile, energy-saving, retrofit replacement for a wide variety of metal halide (MH), high-pressure sodium (HPS), mercury vapor, compact fluorescent (CFL), and halogen bulbs. These Corn Lights are powered by an input voltage of 100-277V AC, and utilize a standard screw-in E-39 base, making them suitable for use in ceiling lamps and fixtures, enclosed indoor and outdoor luminaires, and high-bay or low-bay HID lighting fixtures.

- DLC,UL, CUL certificate
- E39 lamp base
- Warm / Natural / Cool / Cold white
- 360degree lighting, high CRI
- IP64 Waterproof Rating
- Big heat sink, double SUNON fans
- Can be with frosted cover
- Internal driver, input voltage AC100-277V
- No UV or IR in the beam
- Easy to install and operate
- Energy saving, long service life
- Light is soft and uniform, safe to eyes
- Instant start, NO flickering, NO humming
- Green and eco-friendly without mercury



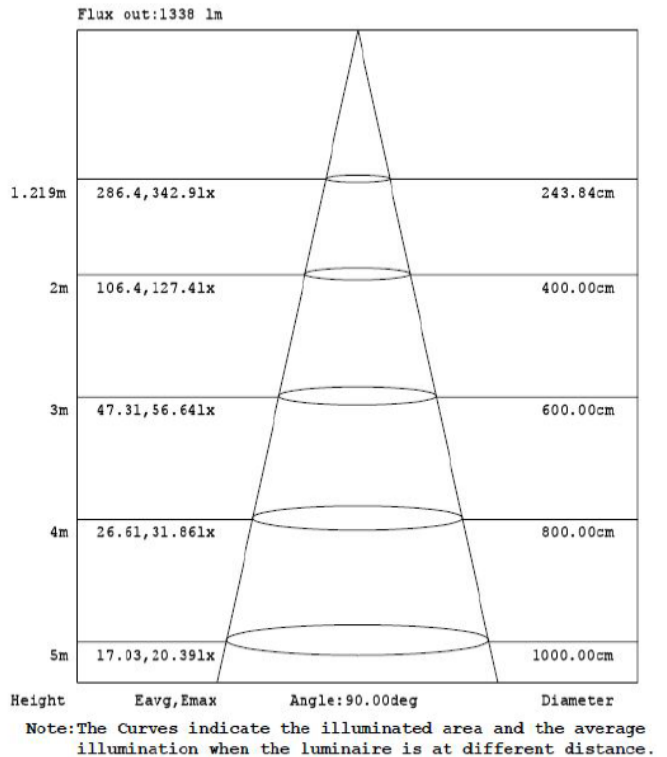
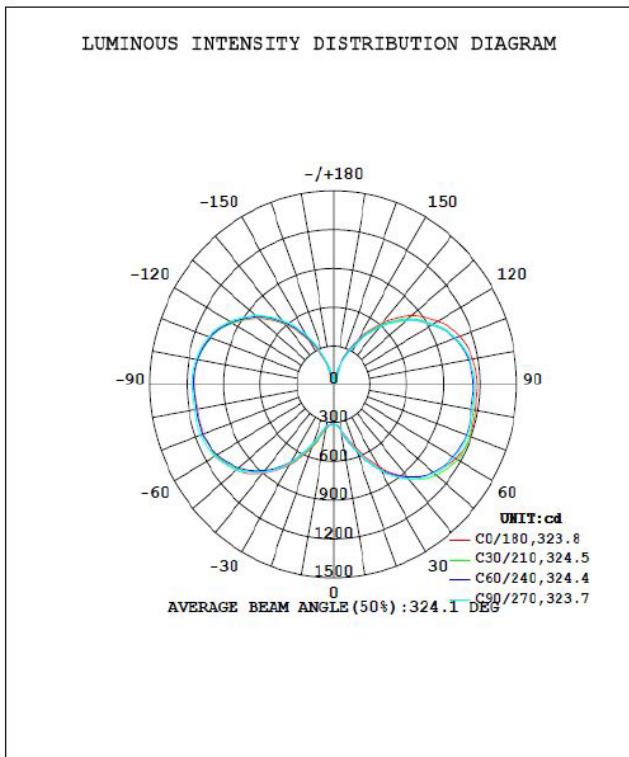
## Application

Widely used in supermarket, warehouse, garage, home, office, hotel, hospital, school, street, garden etc.

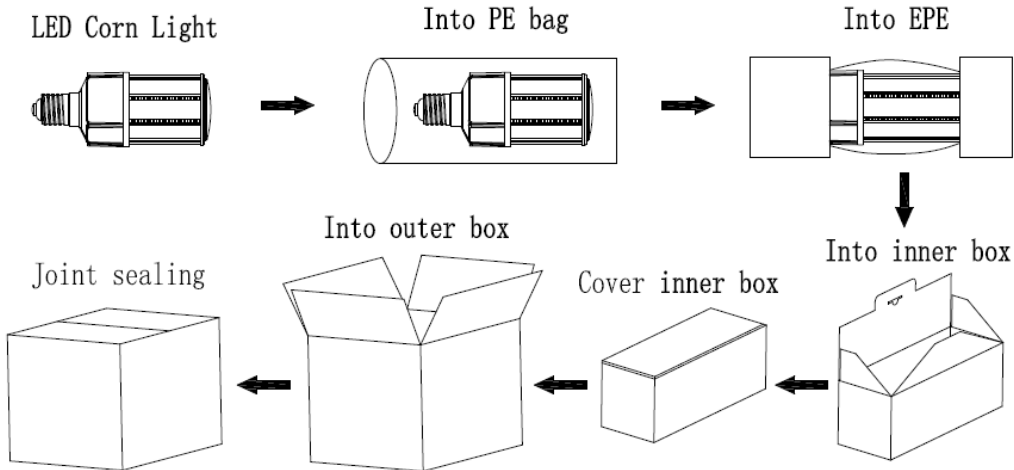
Office: (504) 881-1311 • Fax: (504) 881-1312 • Web: [www.ledsupplyplus.com](http://www.ledsupplyplus.com) • E-Mail: [info@ledsupplyplus.com](mailto:info@ledsupplyplus.com)

PRODUCT SPECIFICATIONS	
Product name	LED Corn Light
Part No	ML-CL100WG6
Light Type	Corn Light
Dimension	Ø 4.92 x 11.41
Technical Characteristic	
Color temperature	2700-7000K
CRI	> 70
Lumen	11500-12000 LM
Lumen Efficacy	115-120 LM/W
Input Power	100 W
Viewing Angle	360 degree
Input Voltage	AC100-277V 50/60Hz
PFC	>90%
Equivalent	700W incandescent / 250W CFL
Waterproof Rating	IP64
MATERIALS	
LED Brand	EPISTAR
LED Type	SMD2835
LED QTY	728 PCS
Housing	PC+AL
Housing color	White
Cover	Clear PC
OTHERS	
Operating Temperature	-4° to 113°
Operating Humidity	20%-70% RH
Storage Temperature	-22° to 176°
Storage Humidity	10%-75% RH
Application	Indoor
Safety Certification	UL, CUL, DLC
Warranty Time	5 Years

DATA OF LAMP		PHOTOMETRIC DATA <span style="float: right;">Eff: 122.61 lm/W</span>			
MODEL		I <sub>max</sub> (cd)	1213	S/MH (C0/180)	3.15
NOMINAL POWER (W)	100W	LOR (%)	100.0	S/MH (C90/270)	3.16
RATED VOLTAGE (V)	230V	TOTAL FLUX (lm)	11751	η UP, DN (C0-180)	22.5, 27.5
NOMINAL FLUX (lm)	11751	CIE CLASS	DIFFUSE	η UP, DN (C180-360)	23.0, 26.9
LAMPS INSIDE	1	η up (%)	45.5	CIBSE SHR NOM	2.00
TEST VOLTAGE (V)	230V	η down (%)	54.5	CIBSE SHR MAX	0.00



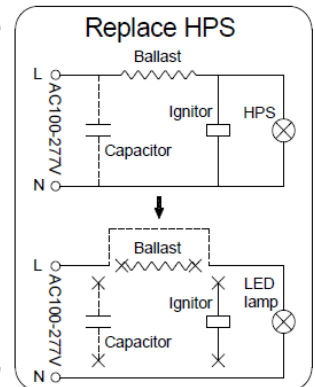
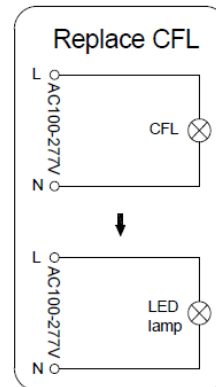
## Package



	Size	Qty/ Carton	Net Weight/ Carton	Gross Weight/ Carton
Inner box	12.59" x 5.9" x 5.9"	1	2.64 lbs	3 lbs
Outer box	24.8" x 18.5" x 12.5"	12	31.74 lbs	40.12 lbs

## Notice For User

- Please turn off power before install or change assembly parts.
- The input voltage and lamps should be matched, after connecting the power line, please make sure the wiring section is insulated.
- Make sure to remove or bypass the ballast in the fixtures before install the lamps.
- Suitable for damp locations. Do not use with dimmers.
- Suitable for use in enclosed luminaires, min. lamp compartment dimensions: 420\*230\*230MM.
- No-professionals, must not install and disassemble the lamps.



## Trouble Shootings

Troubles	Check points
Flickering of the lamps	Turn off the power and turn on again in 3 minutes. If same phenomena occur, then call agencies
Out of working	Please check the connection