

300W LED SHOEBOX AREA FLOOD LIGHT

■ Product Features

- High efficiency LED Driver, the wide range input voltage AC100-277V or AC200-480V;
- Lumileds LED high luminous efficiency and long life.
- Cast aluminium design, better cooling and easy replacement, light quality, LED Tj < 85°C
- Excellent optical design, greatly improve the light utilization and evenness.
- Photocell Control Available (Option)



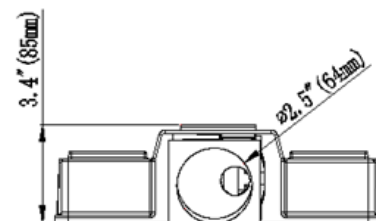
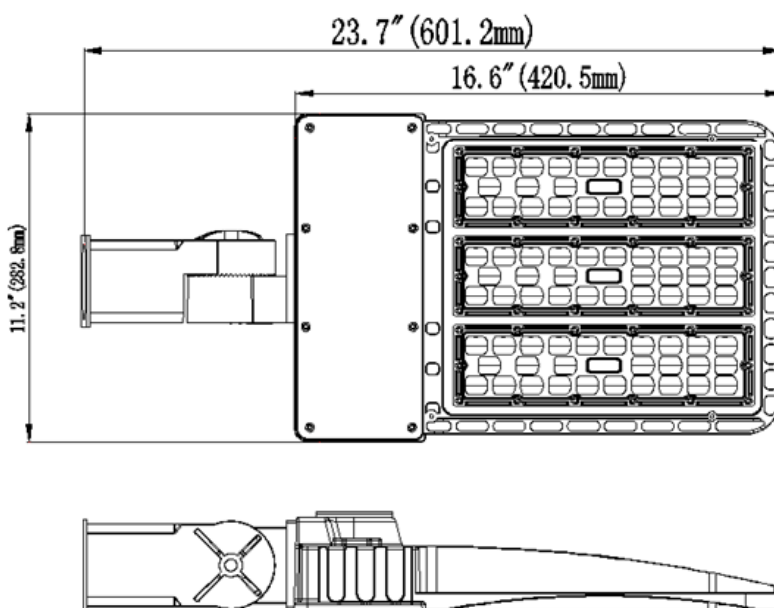
■ Product Applications

WSD LED SHOEBOX Lighting series can be widely used in Urban roads, Industrial areas, Residential areas, Sidewalks, Parking lot, Schools, Gardens and etc.

■ Structure Features

- **Shell materials:** Aluminum & PC.
- **Finish:** Dark Bronze/White
- **Net weight:** 11.50kgs (25.40 lbs)

Unit: inch (mm)

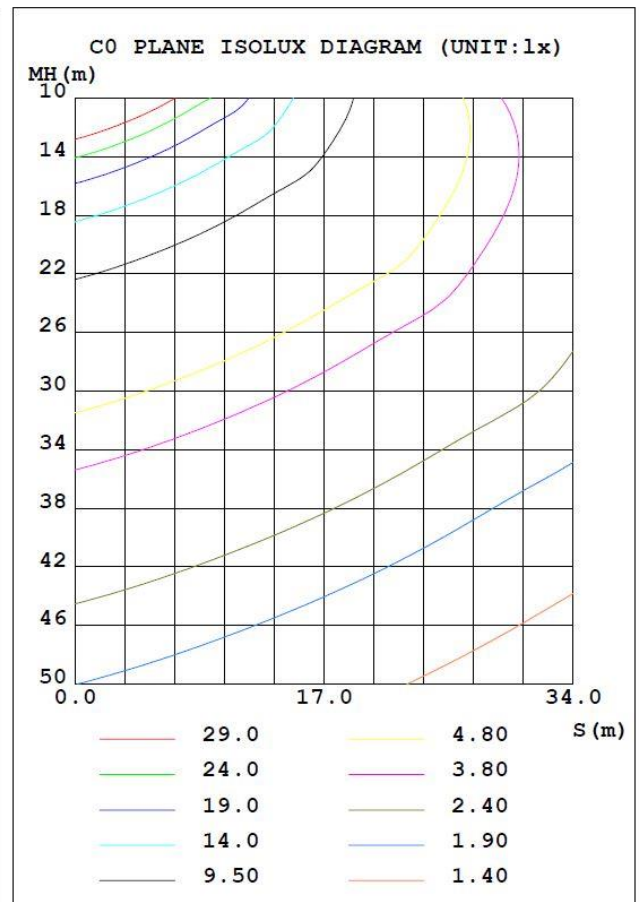
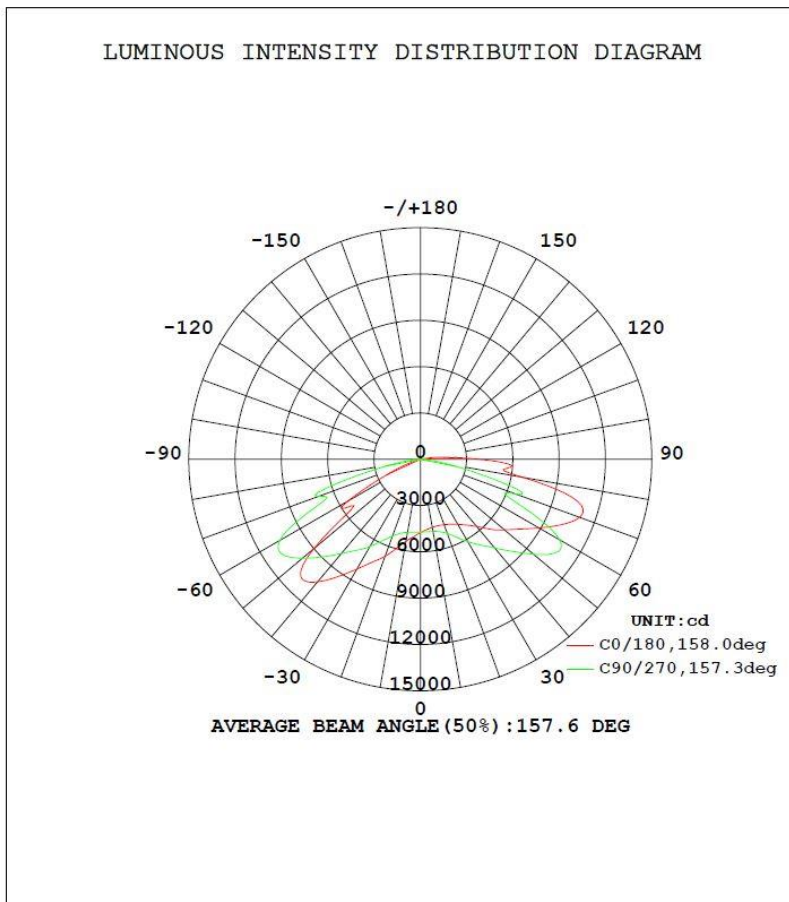


300W LED SHOEBOX AREA FLOOD LIGHT

■ Technical Parameters

Type	WSD-SB30W27-XXK-X-TX-X-X		
Power	300W	Lighting Angle	Type II, Type III, Type Vs
Input Voltage	AC100-277V	LED Brightness Decay	<5%/6000 hrs
PF	>0.95	Working Life	>50000 hrs
Driver Efficiency	>90%	Working Temperature	-30 - +45°C
Luminous Flux	38000Lm	Storage Temperature	-40 -+80°C
Color Temperature	3000K/4000K/5000K/5700K	Protection Level	Wet Location/IP65
CRI	Ra>80	Cable	3 core, 18AWG

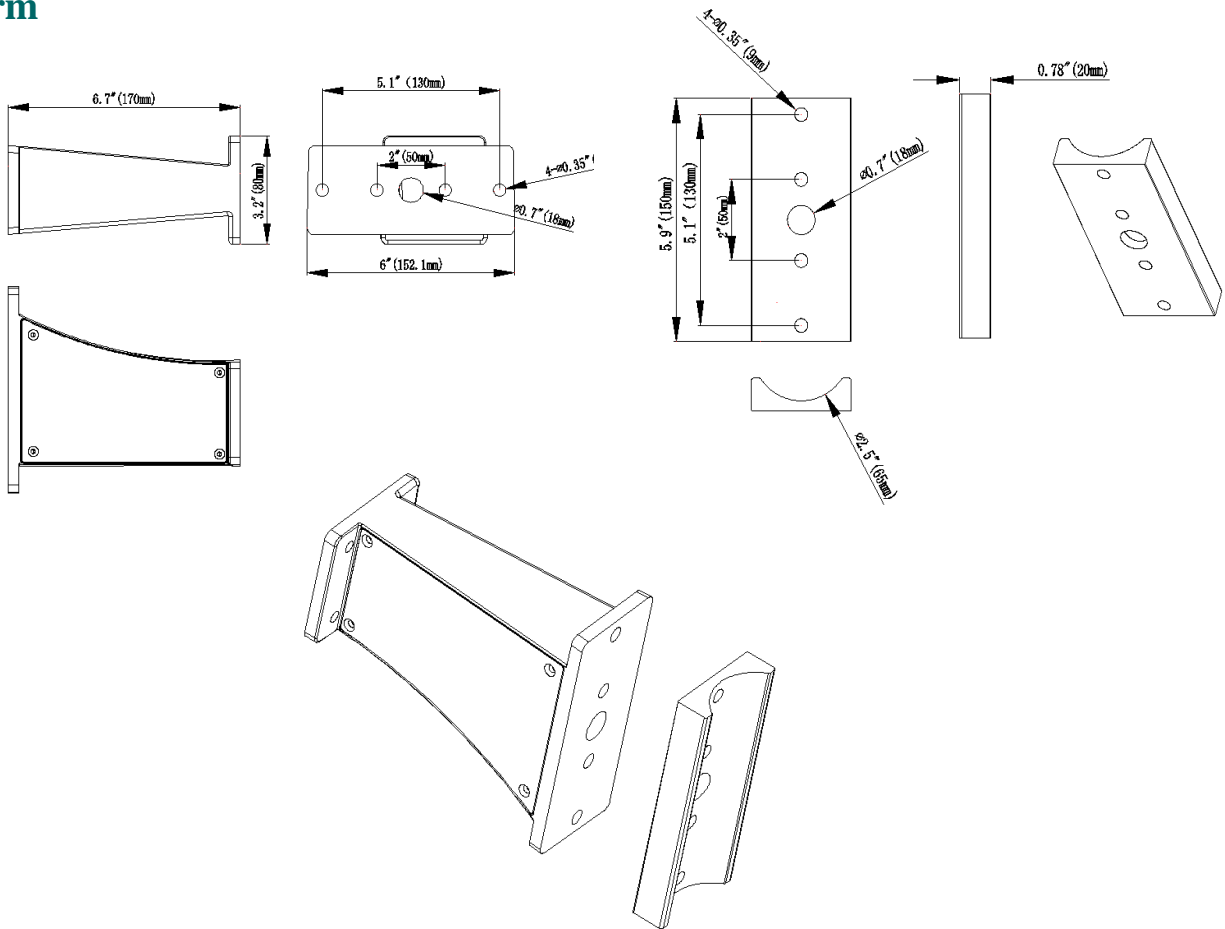
■ Photometry and Type Vs:



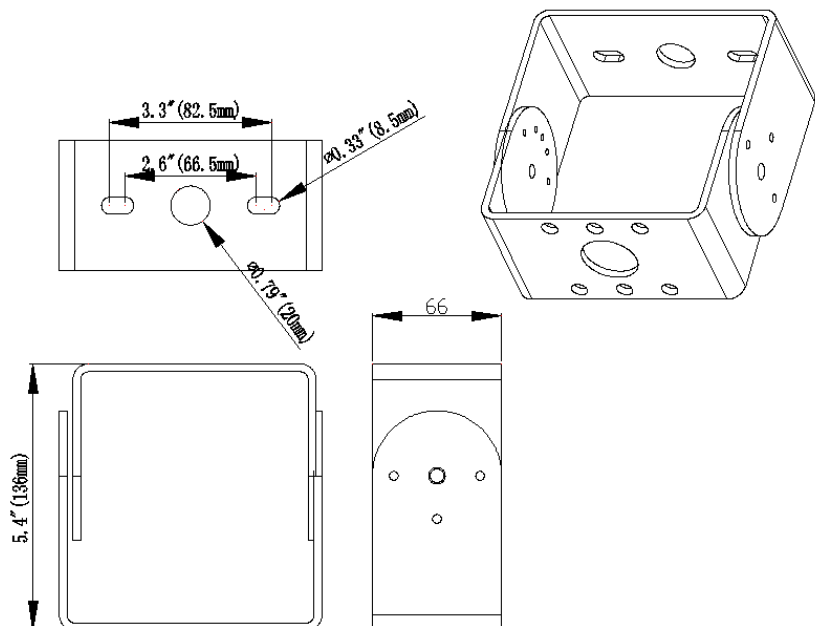
300W LED SHOEBOX AREA FLOOD LIGHT

■ Accessory Option:

Arm



Trunnion



300W LED SHOEBOX AREA FLOOD LIGHT

● ORDERING INFORMATION:

EXAMPLE: **WSD-SB 30W 27-50K-D-T3-S-P**

SB	20W	27	50K	D	T3	S	P
Product	Power	Voltage	Color Temp	Finish	IES	Mount	Control
SB SHOEBOX LIGHT	06W(60W)	27	30K (3000K)	D	T2	S	P
	10W(100W)	AC100-277V	40K (4000K)	Dark	TypeII	Slip fitter	100-277V
	15W(150W)	48	50K (5000K)	Bronze	T3	T	Photocell
	20W(200W) 30W(300W)	AC200-480V	57K (5700K) ± 500K	W White	TypeIII T5 TypeV	Trunnion A Arm	

■ Product Certifications



■ Contact Us